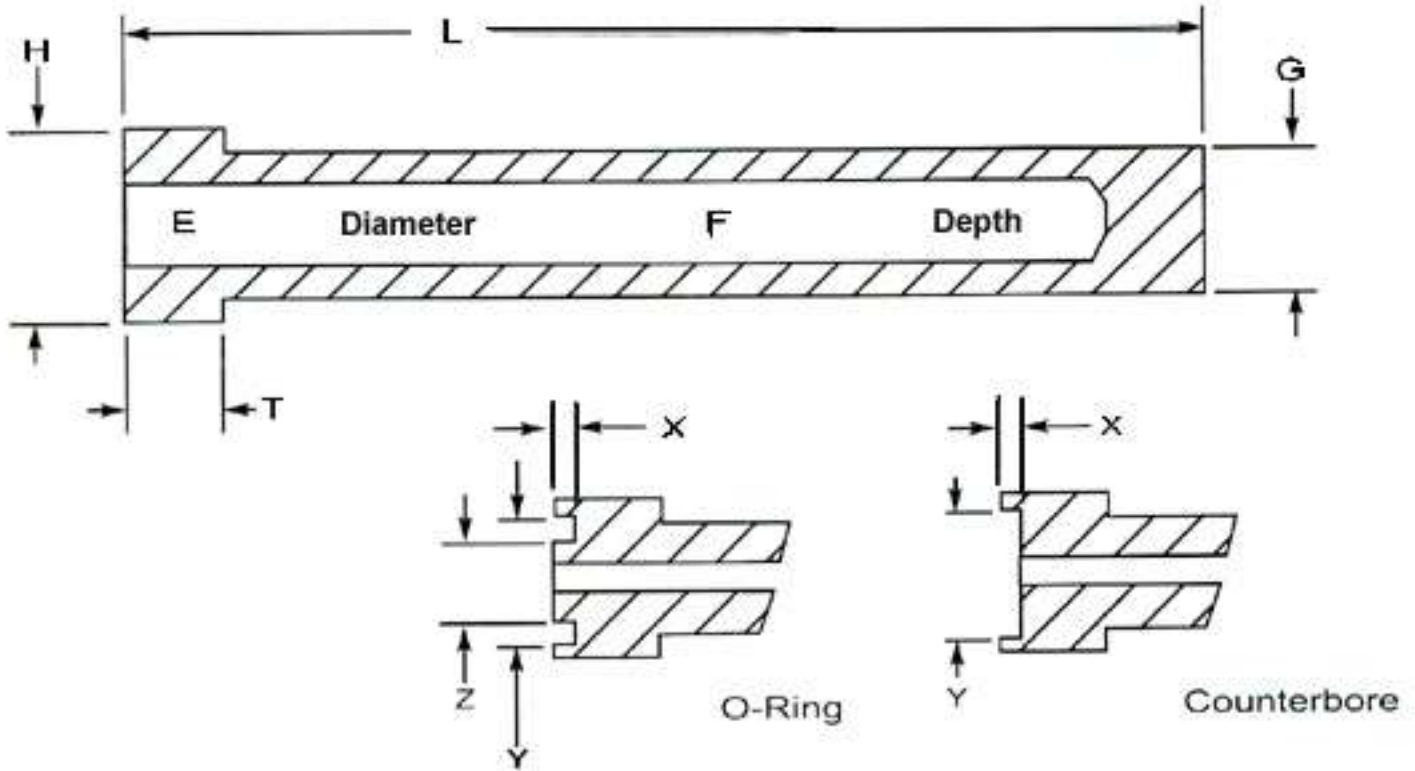


WATER COOLED CORE PINS



COMPANY: \_\_\_\_\_  
 CONTACT: \_\_\_\_\_  
 PHONE: \_\_\_\_\_  
 FAX: \_\_\_\_\_  
 QUANTITY: \_\_\_\_\_  
 MATERIAL: \_\_\_\_\_  
 HARDNESS: \_\_\_\_\_  
 DELIVERY: \_\_\_\_\_  
 NITRITE:    YES        NO

LET. DIMENSION TOLERANCE

LET.	DIMENSION	TOLERANCE
E		+0.002 -0.002
F		+0.000 -0.060
G		+0.000 -0.001
H		+0.000 -0.010
L		+0.060 -0.000
T		+0.000 -0.002
X		+0.002 -0.002
Y		+0.002 -0.002
Z		+0.002 -0.002

**\*\*Parts will be manufactured to these tolerances unless otherwise specified!**

**\*\*Please read carefully: Verify all dimensions & tolerances before signing!**

SIGNATURE: \_\_\_\_\_

Quote only:

P.O.# \_\_\_\_\_