



# Tooling Components, Inc.

MOLD - DIE - POLISHING SUPPLIES

8349 West High Street Union City PA 16438

Toll Free: 877-438-7657

Fax: 814-438-8146

email: sales@toolcompinc.com

www.toolingcomponentsinc.com

## Contact Information:

Customer:

Contact Name:

Phone:

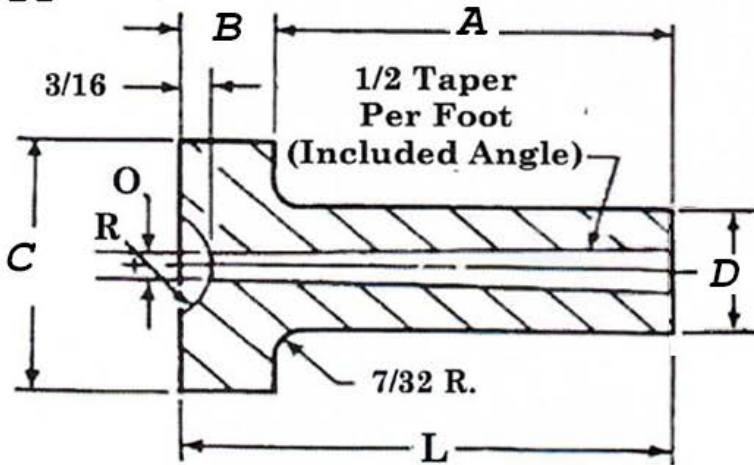
FAX:

E-Mail:

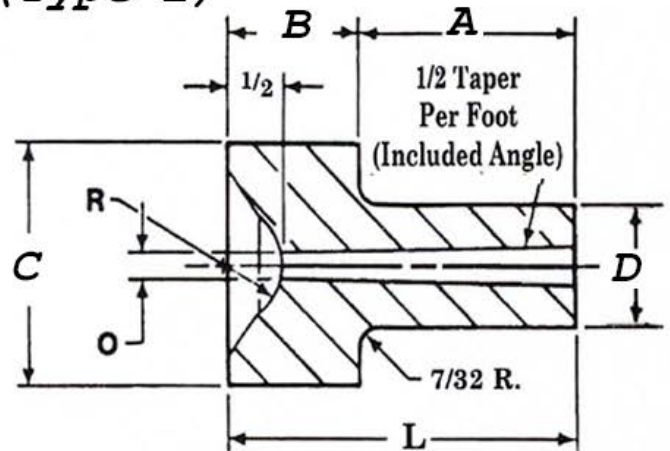
Quantity Required

Price:

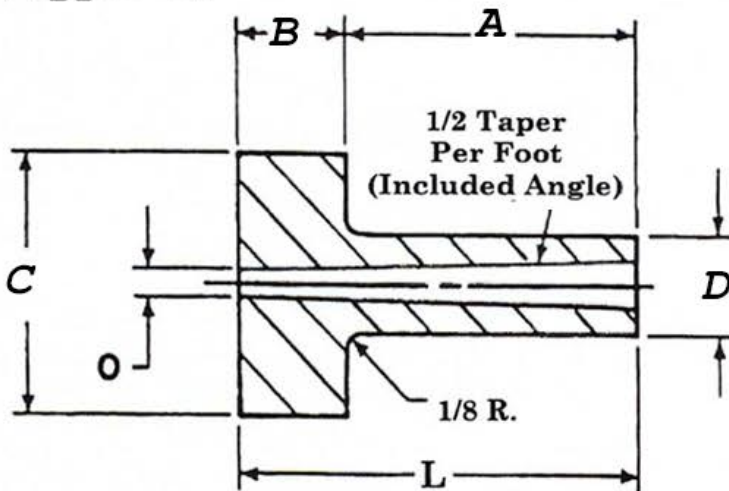
(Type 1)



(Type 2)



(Type 3)



Type \_\_\_\_\_

Material \_\_\_\_\_

A= \_\_\_\_\_

B= \_\_\_\_\_

C= \_\_\_\_\_

D= \_\_\_\_\_

L= \_\_\_\_\_

O= \_\_\_\_\_

R= \_\_\_\_\_

Special Requirements:

--