



# Tooling Components, Inc.

**MOLD - DIE - POLISHING SUPPLIES**

8349 West High Street Union City PA 16438

**Toll Free: 877-438-7657**

**Fax: 814-438-8146**

email: sales@toolcompinc.com

www.toolingcomponentsinc.com

## Contact Information:

Customer:

Contact Name:

Phone:

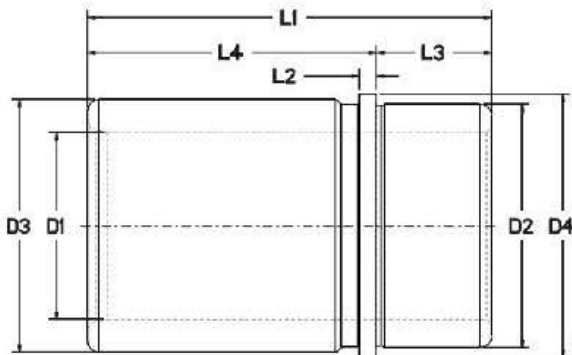
FAX:

E-Mail:

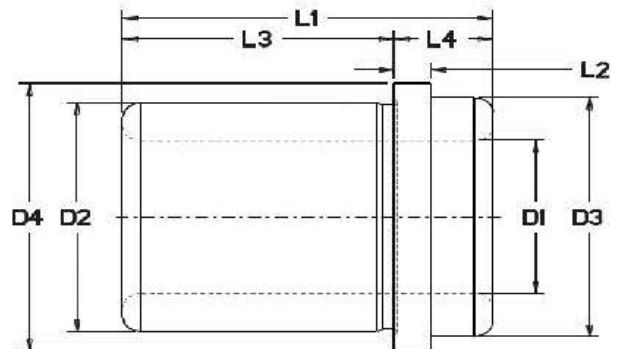
Quantity Required

Price:

### Long Shoulder Bushing



### Short Shoulder Bushing



- LIST ALL REQUIRED DIMENSIONS AND TOLERANCES.

- IF NO TOLERANCE IS SPECIFIED, THEN THE STANDARD CATALOG TOLERANCE WILL BE USED

Standard Part Number Reference: (select one and/or fill in part number if applicable)

Lamina

Danly

Lempco

Required Dimensions	Required Tolerance
D1	/
D2	/
D3	/
D4	/
L1	/
L2	/
L3	/
L4	/
Standard Figure 8 oil Groove	Y / N

Select Material
Bronze Plated Steel
Steel Only
Alum. Bronze
Alum. Bronze Self Lube
Hardness Required

Special Requirements: