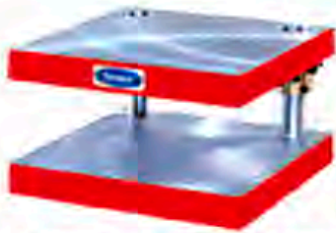
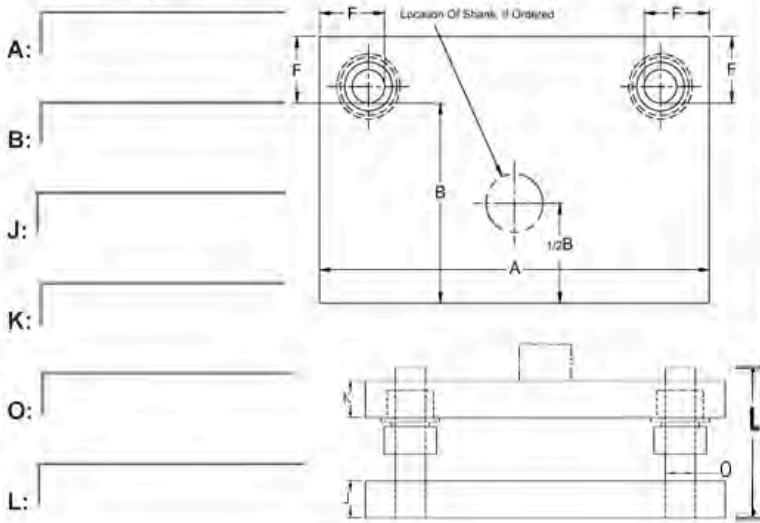


AS-33 Back Post Series Plain Bearing Die Set



Dimensions - use diagrams at right when specifying dimensions

Notes: "O" and "F" dimensions per catalog unless otherwise specified.
Plain Bearing Sets: "F" from guide post.

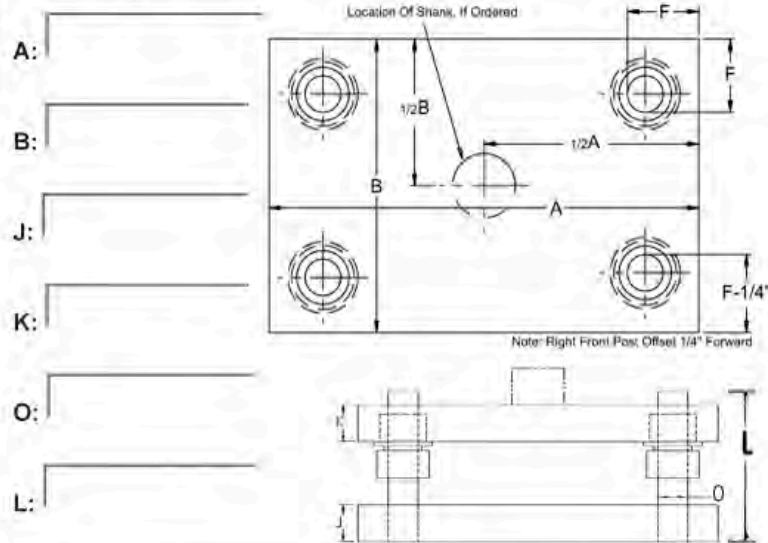


AS-37 Four Post Series Plain Bearing Die Sets



Dimensions - use diagrams at right when specifying dimensions

Notes: "O" and "F" dimensions per catalog unless otherwise specified.
Plain Bearing Sets: "F" from guide post.



WHEN	O=1	1-1/4	1-1/2	1-3/4	2	2-1/2	3
	F=2	2-1/4	2-1/2	2-3/4	3	3-3/4	4-1/4

Bushing style

Demountable Steel Shoulder Bushings will be furnished unless otherwise specified

If shank is desired, please indicate size: _____

size of shank, if ordered
Shank will be located at
1/2B dimension unless
otherwise specified.

- ◆ 1-1/2" diameter x 2-1/8" long
- ◆ 1-9/16" diameter x 2-1/8" long
- ◆ 2" diameter x 2-7/8" long
- ◆ 2-1/2" diameter x 2-7/8" long
- ◆ 3" diameter x 2-7/8" long

Lift holes: _____ Lift hole quantity: _____

Special Instructions: _____

Name _____

QUOTE ONLY: _____

Company Name _____

ORDER#: _____

DATE QUOTED: _____

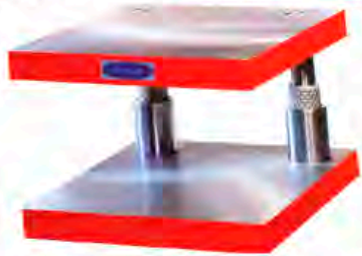
DATE ORDERED: _____

Toll Free (877) 438-7657 Fax (814)438-8146



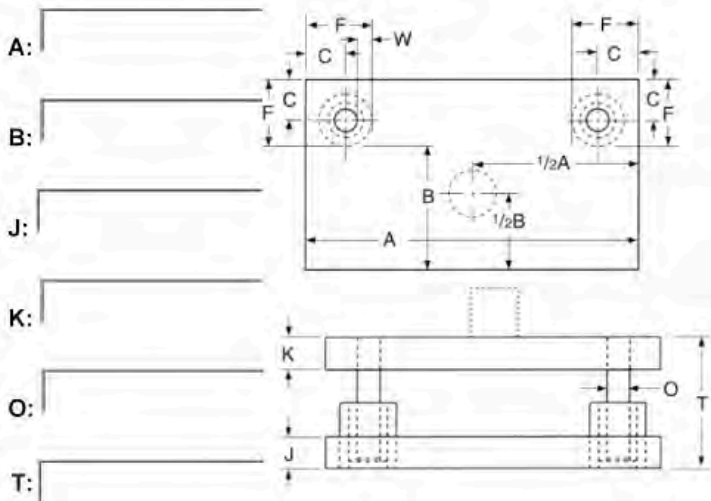
toolcom@verizon.net

AS-33BB BACK POST BALL BEARING DIE SET



Dimensions - use diagrams at right when specifying dimensions

Notes: "O" and "F" dimensions per catalog unless otherwise specified.

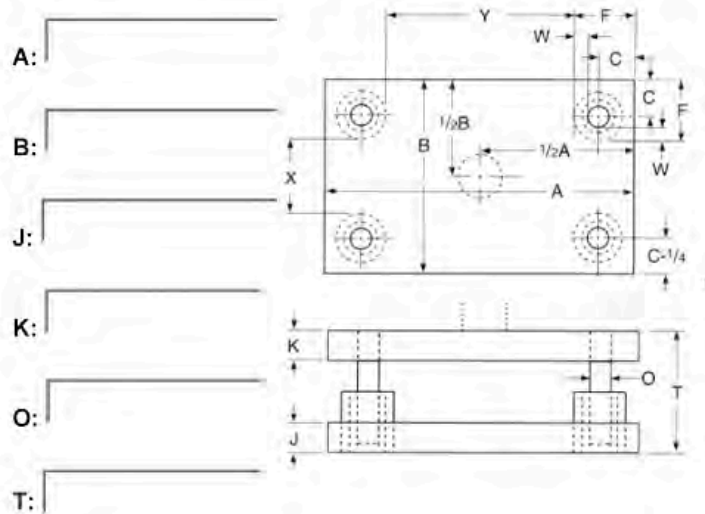


AS-37BB FOUR POST BALL BEARING DIE SET



Dimensions - use diagrams at right when specifying dimensions

Notes: "O" and "F" dimensions per catalog unless otherwise specified.



Nominal Guide Post Diameter	C	Flange Bushing		Shoulder Bushing	
		F	W	F	W
1	1-3/4	2-11/16	7/16	2-7/8	9/16
1-1/4	1-7/8	2-15/16	7/16	3-1/16	9/16
1-1/2	2-1/8	3-3/8	1/2	3-9/16	11/16
1-3/4	2-1/4	3-5/8	1/2	3-13/16	11/16
2	2-1/2	4-1/8	5/8	4-5/16	13/16
2-1/2	2-7/8	4-3/4	5/8	5	13/16
3	3-1/4	5-3/8	5/8	5-5/8	7/8

NOTE: Diameter of larger post determines C and F dimensions for both posts

Special Instructions: _____

Bushing Style:

Pin Style:

Demountable or Straight sleeve

Demountable or Straight



If shank is desired, please indicate size: _____

Lift holes: _____ Lift hole quantity: _____

Material: _____ Aluminum

Steel 1020

Name _____

Company Name _____

QUOTE ONLY: _____

ORDER#: _____

DATE QUOTED: _____

DATE ORDERED: _____

Toll Free (877) 438-7657 Fax (814)438-8146



toolcom@verizon.net